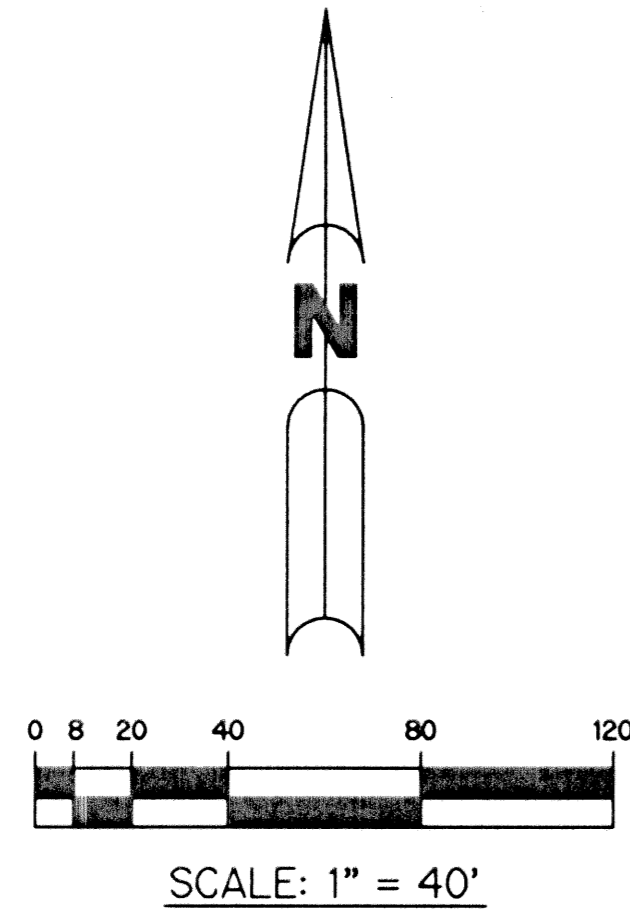


VALENCIA GRAND ISLES (AKA POLO TRACE PRD) PLANNED UNIT DEVELOPMENT VALENCIA FALLS - PLAT NINE

BEING A REPLAT OF A PORTION OF TRACTS 1 THROUGH 5 AND A PORTION OF TRACTS 28 THROUGH 32,
PALM BEACH FARMS COMPANY PLAT NO. 1 AS RECORDED IN PLAT BOOK 2, PAGES 26 THROUGH 28
OF THE PUBLIC RECORDS OF PALM BEACH COUNTY, FLORIDA. LYING IN
SECTION 9, TOWNSHIP 46 SOUTH, RANGE 42 EAST.

SHEET 2 OF 5 JULY, 2001

THIS INSTRUMENT PREPARED BY
PERRY C. WHITE, P.S.M. 4213, STATE OF FLORIDA
LAWSON, NOBLE AND WEBB, INC., LB-6674
ENGINEERS PLANNERS SURVEYORS
420 COLUMBIA DRIVE, SUITE 110
WEST PALM BEACH, FLORIDA

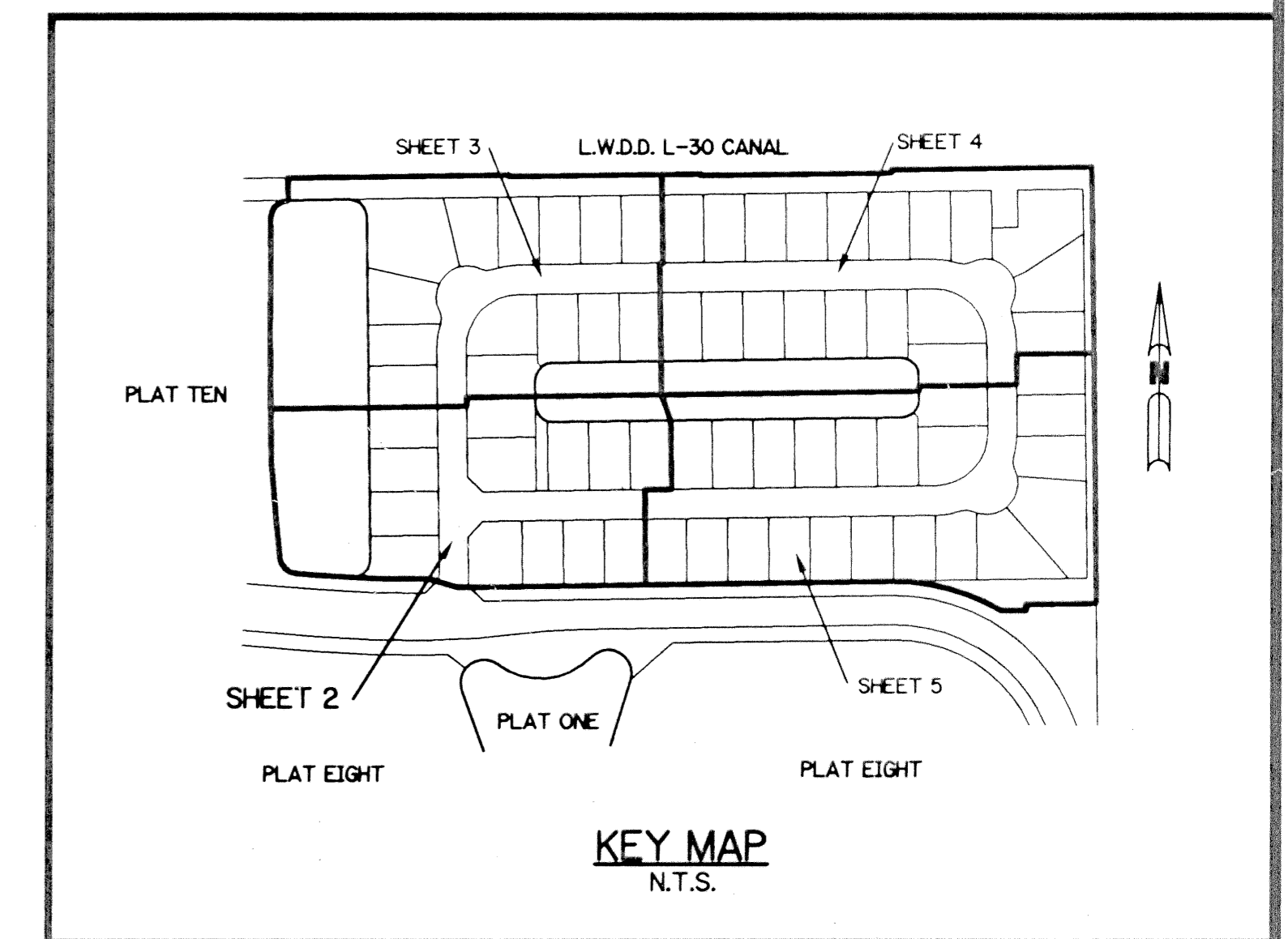
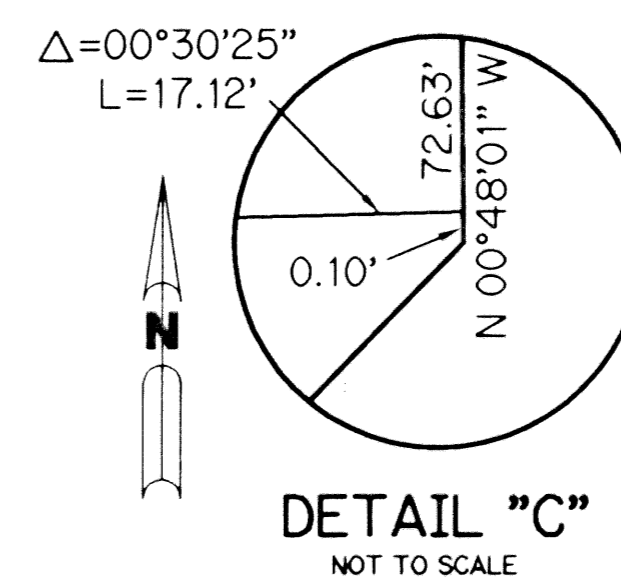
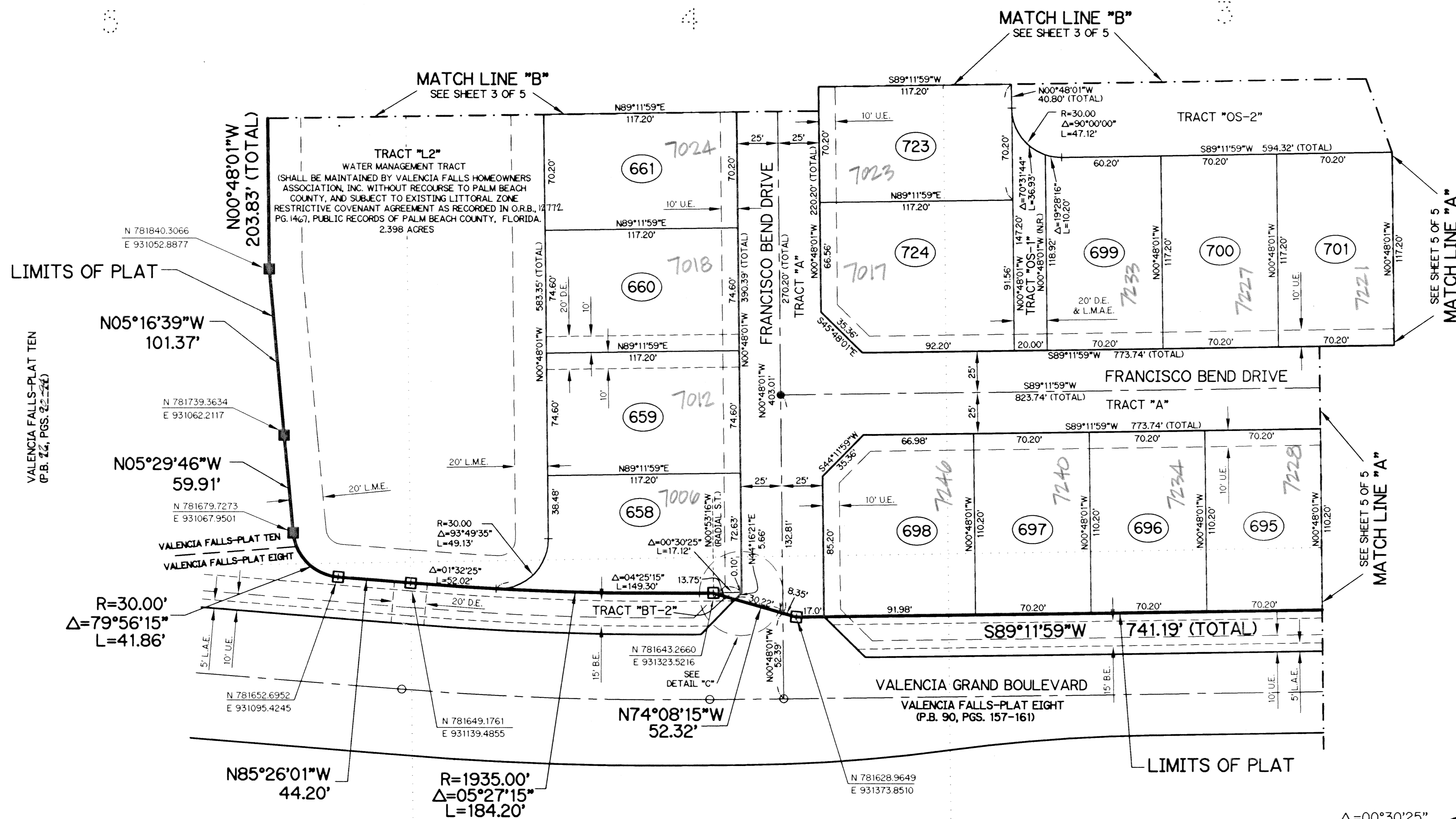


LEGEND:

- - SET PERMANENT REFERENCE MONUMENT, L.B. #6674
- - FOUND PERMANENT REFERENCE MONUMENT, L.B. #6674
- - SET PERMANENT CONTROL POINT, L.B. #6674
- - FOUND PERMANENT CONTROL POINT, L.B. #6674
- Δ - DELTA ANGLE
- B.E. - BUFFER EASEMENT
- CB - CHORD BEARING
- CH - CHORD DISTANCE
- C - CENTERLINE
- D.B. - DEED BOOK
- D.E. - DRAINAGE EASEMENT
- L - ARC LENGTH
- L.A.E. - LIMITED ACCESS EASEMENT
- L.M.A.E. - LAKE MAINTENANCE ACCESS EASEMENT
- L.M.E. - LAKE MAINTENANCE EASEMENT
- L.W.D.D. - LAKE WORTH DRAINAGE DISTRICT
- N.R. - NOT RADIAL
- N.T.S. - NOT TO SCALE
- O.E. - OVERHANG EASEMENT
- O.R.B. - OFFICIAL RECORD BOOK
- P.B. - PLAT BOOK
- PGS. - PAGES
- P.S.M. - PROFESSIONAL SURVEYOR AND MAPPER
- R - RADIUS
- RAD. - RADIAL
- R/W - RIGHT-OF-WAY
- S.T. - SURVEY TIE
- U.E. - UTILITY EASEMENT
- P.B.F.C. - PALM BEACH FARMS COMPANY PLAT NO. 1 (P.B. 2, PGS. 26 - 28)
- - DENOTES TRACT NUMBER PER PALM BEACH FARMS COMPANY PLAT NO. 1 (P.B. 2, PG. 26)
- N 737648.0171 E 905258.2326 - DENOTES STATE PLANE COORDINATES

NOTE:

COORDINATES SHOWN ARE GRID COORDINATES
DATUM = NAD 83 (1990 ADJUSTMENT)
ZONE = FLORIDA EAST ZONE
LINEAR UNIT = U.S. SURVEY FEET
COORDINATE SYSTEM = 1983 STATE PLANE TRANSVERSE MERCATOR PROJECTION
ALL DISTANCES ARE GROUND
SCALE FACTOR = 1.0000278
PLAT BEARING = GRID BEARING
NO ROTATION



SUBDIVISION VALENCIA FALLS - PLAT 9
BOOK 92 FLOOR MAP # 200A
RECORD ZONE B
ZONING PUD
C.S.P. # 51
S.E.
TAX # 400
PUB NAME VALENCIA GRAND ISLES (POLO TRACE)